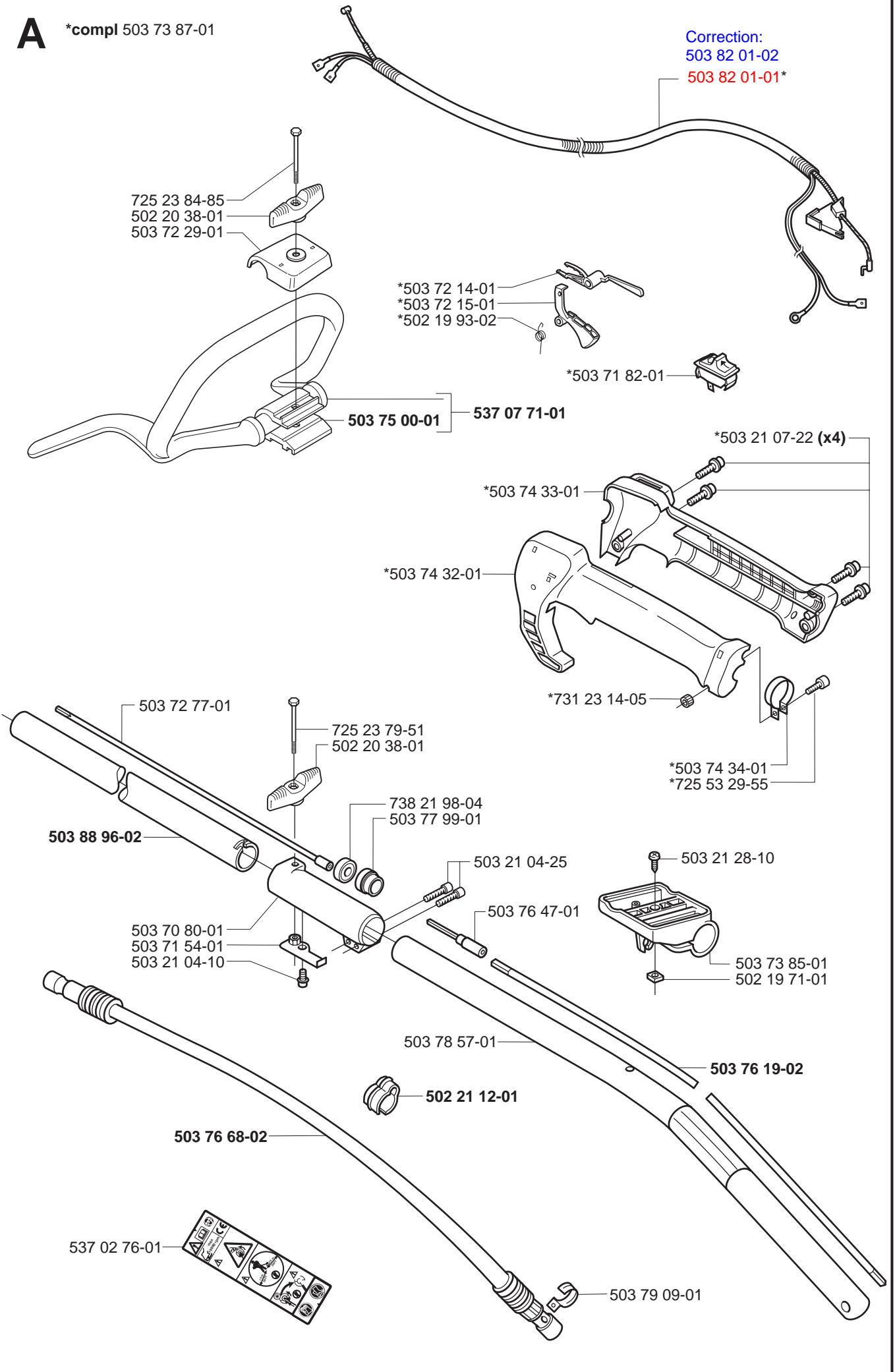
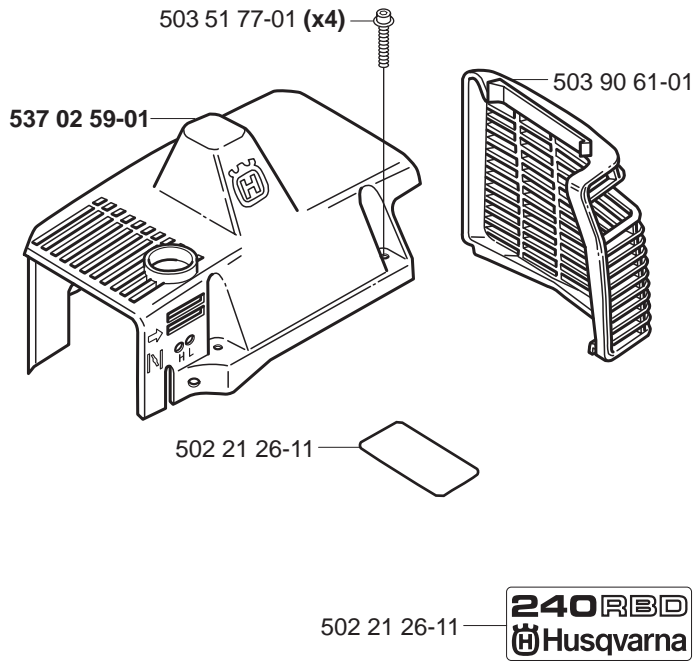


A

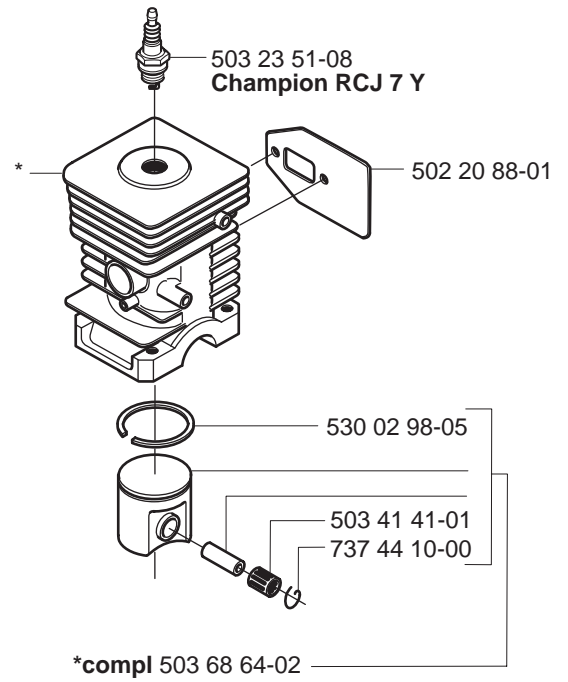
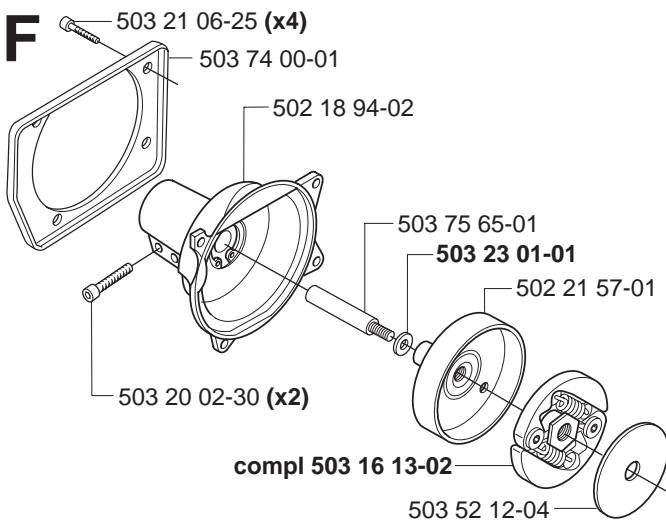
*compl 503 73 87-01

Correction:
503 82 01-02
503 82 01-01*

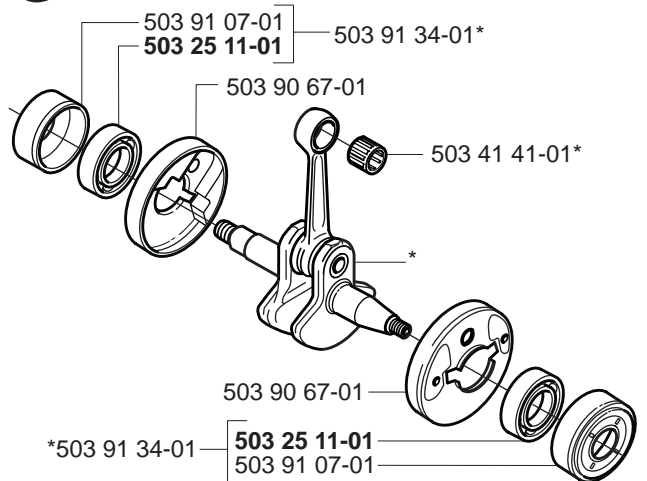
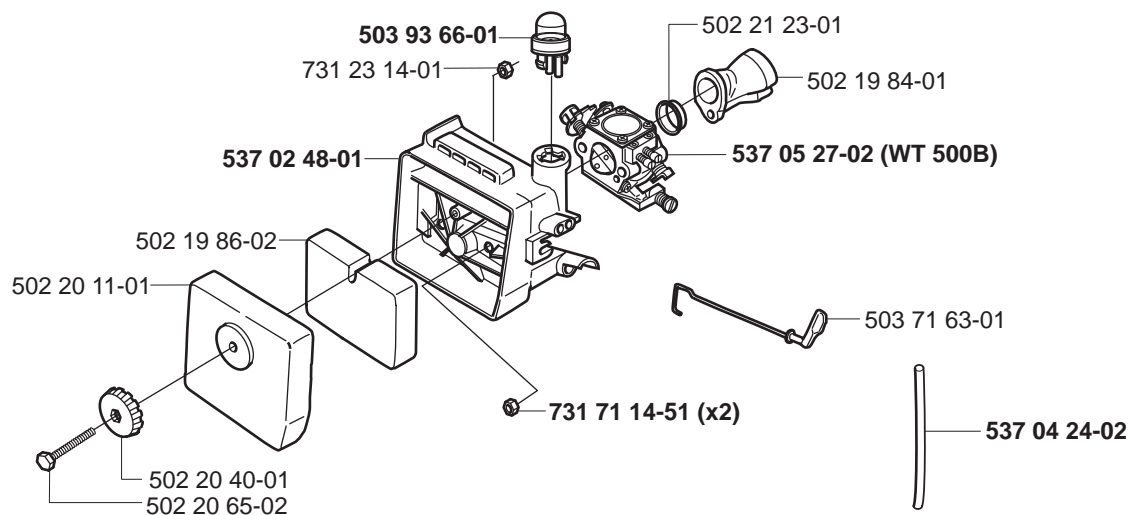


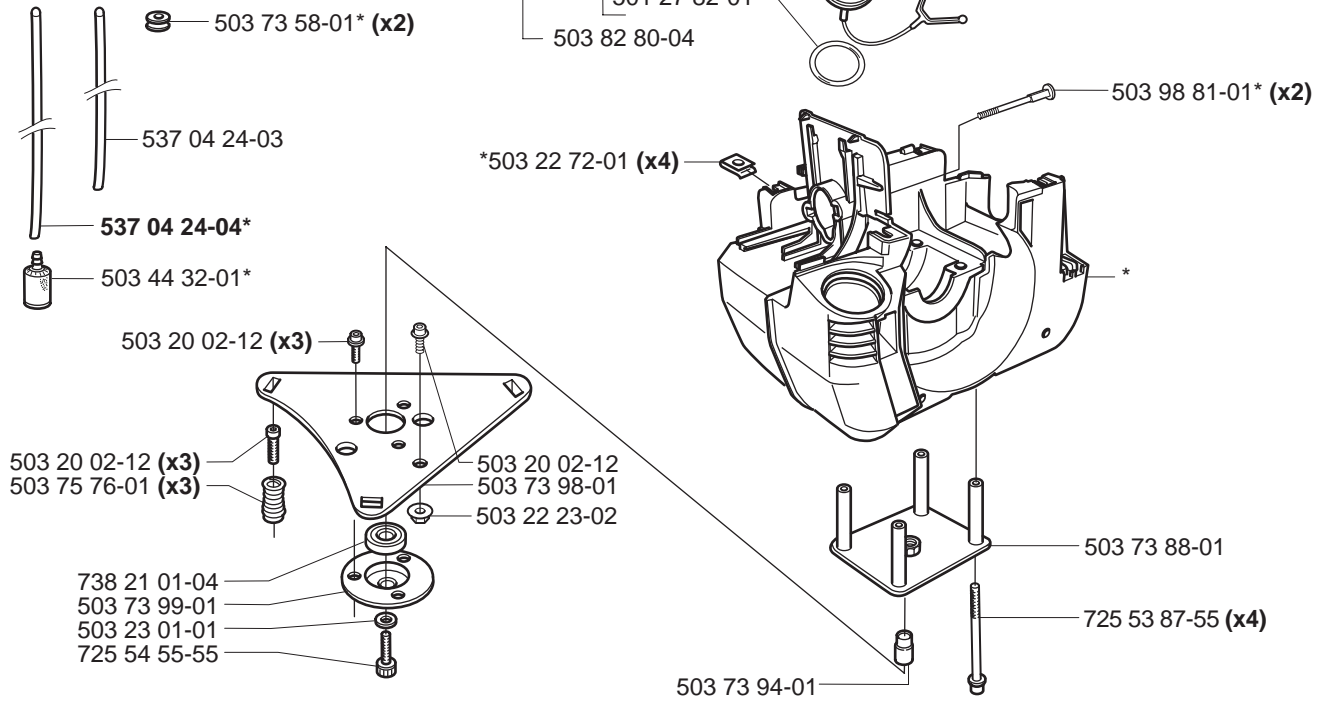
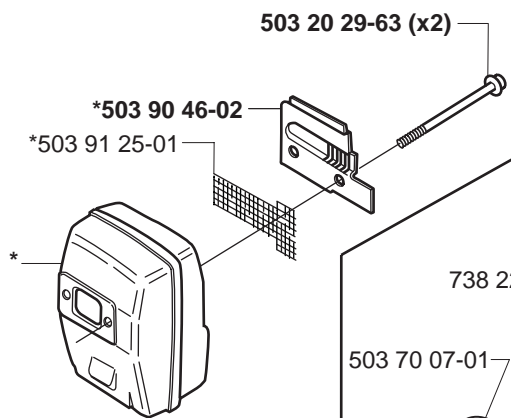
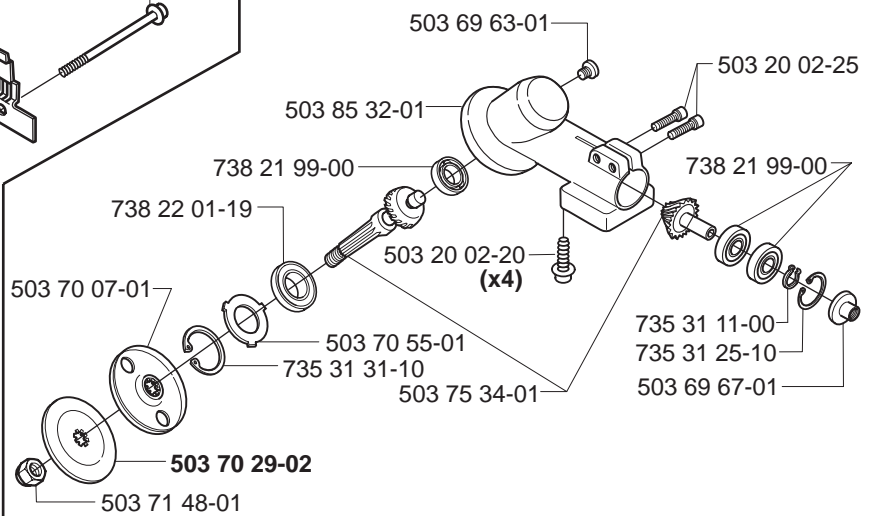
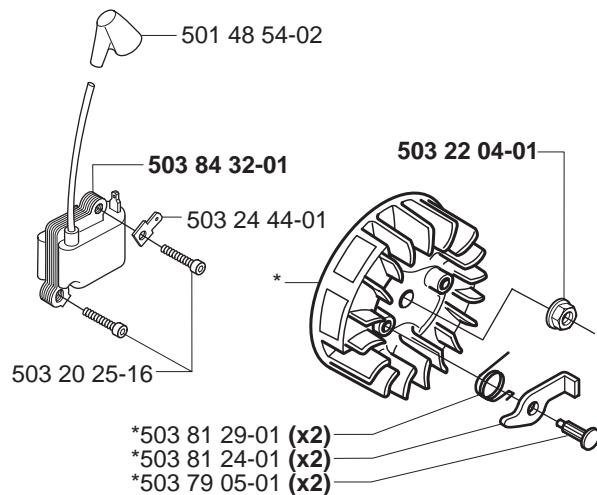
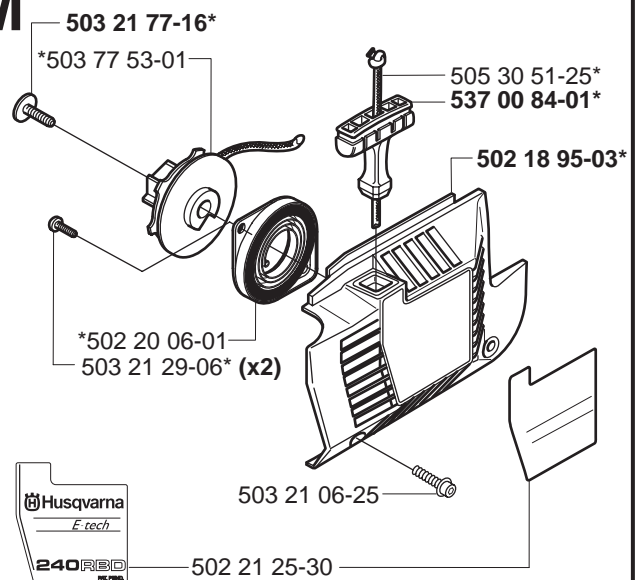
C**D**

*compl 503 69 46-01

**F****G**

*compl 502 21 28-04

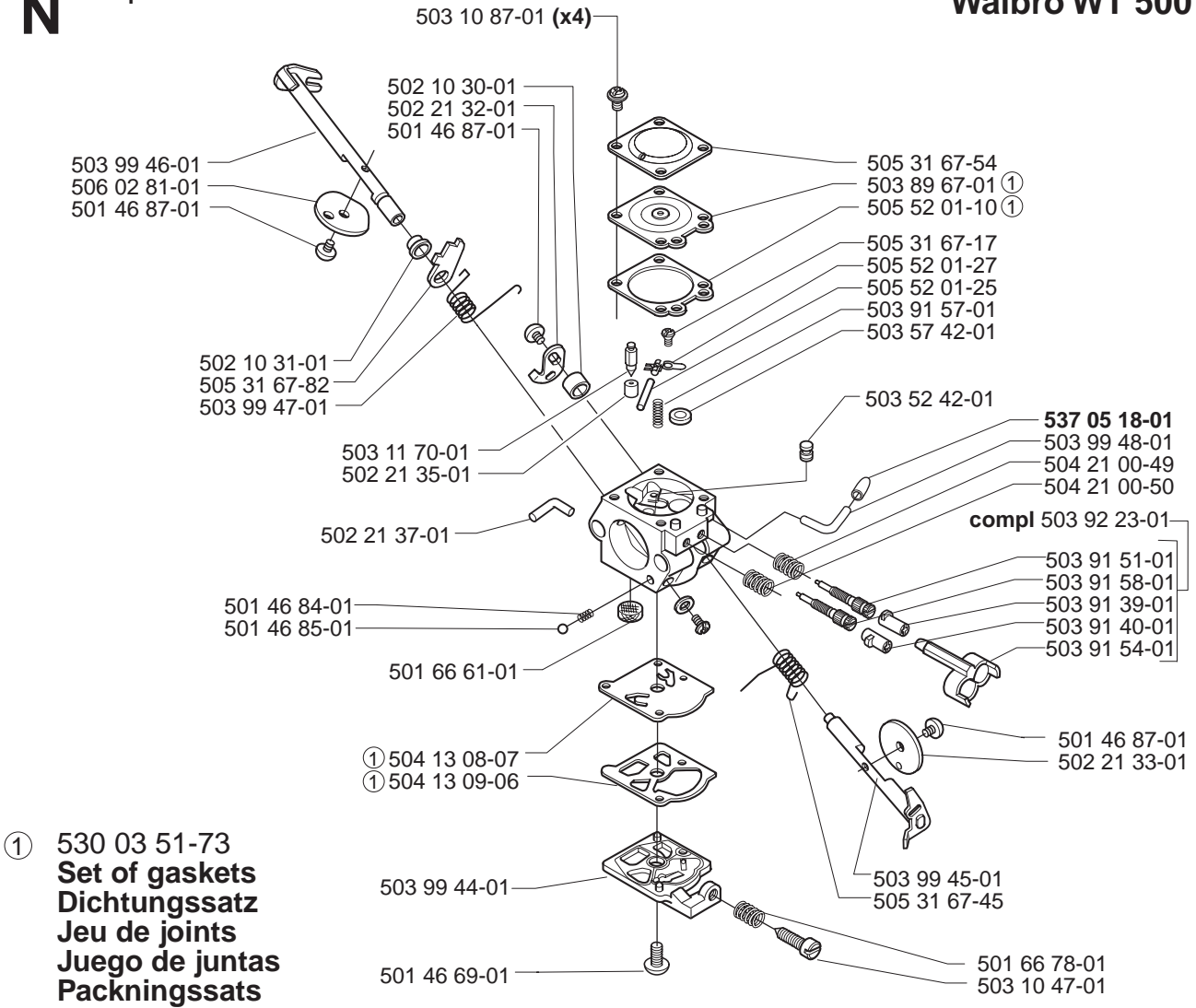
**K**

L***compl 503 84 00-01****E*****compl 503 90 47-02****Q****compl 502 21 92-04****H*****compl 503 79 06-01****M*****compl 502 18 95-02**

N

compl 537 05 27-02

Walbro WT 500 B



P

Accessories
Zubehöre
Accessoires
Accessorios
Tillbehör

*compl 503 73 86-01

